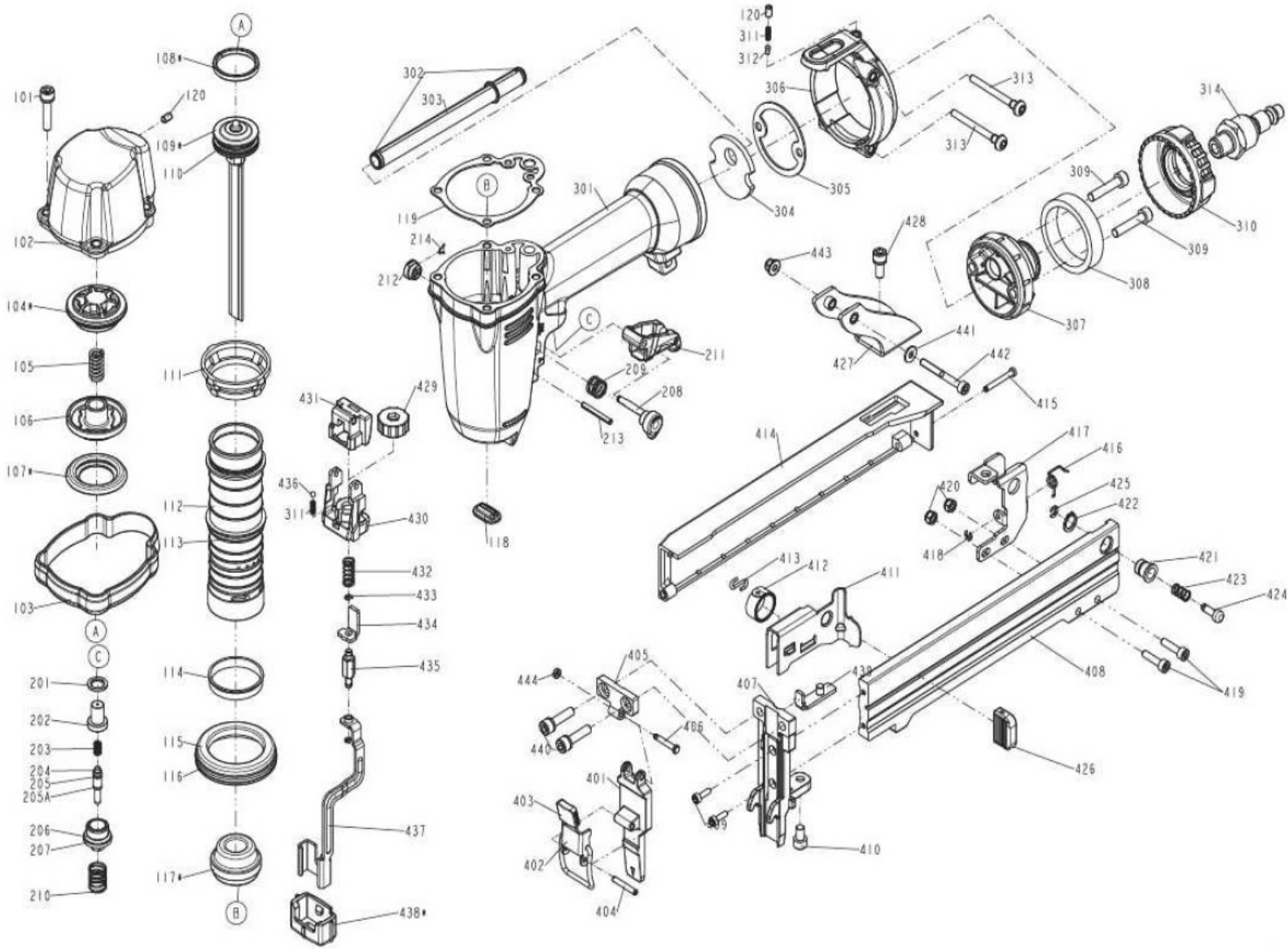


ESSVE Medium Stapler, ESSVE MS 500/40

Tool Partnr: 713086



Pos	PARTS NAME	ESSVE Partnumber	Pos	PARTS NAME	ESSVE Partnumber	Pos	PARTS NAME	ESSVE Partnumber
101	BOLT ASSY	873101	304	FILTER	10000957	428	BOLT ASSY	10001000
102	CAP	10004423	305	GASKET	10000865	429	ADJUST AXIE	10000983
103	PROTECTIVE CUSHION	10004424	306	SPRING RETAINER	10000831	430	SAFETY GUIDE	10000881
104	COLLAR	10004445	307	END CAP	10000896	431	SAFETY SPRING BASE	10000853
105	COMPRESSION SPRING	10000915	308	MUFFLER	10000867	432	SAFETY SPRING	10004441
106	HD.VALVE PISTON	10000931	309	HEX.SOC.HD.BOLT	10001016	433	E - RING	10001032
107	SEAL	10002936	310	GUIDE PLATE	10000984	434	SAFETY	10000870
108	PISTON RING	10004446	311	POSITIONING SPRING	10000852	435	ADJUST ROD A	10000982
109	DRIVER UNIT	10004425	312	POSITIONING SHAFT	1136C00847011	436	STEEL BALL	10001060
110	O - RING	10002993	313	SCREW	10000966	437	SAFETY A UNIT	10001356
111	COLLAR	10000991	314	AIR PLUG	10002926	438	PROTECTIVE CASING	901109 (3 pcs)
112	CYLINDER	10000854	401	DRIVER GUIDE COVER A	10001344	439	POSITIONING SHEET UNIT	10001357
113	O - RING	10002994	402	LOCK HANDLE UNIT	10004431	440	BOLT ASSY	890377
114	CYLINDER RING	10000858	403	PUSHER CUSHION	1135F10447011	441	FLAT WASHER	10004443
115	CYLINDER SPACER	10000855	404	SPIRAL PINS	10004432	442	HEX.SOC.HD.BOLT	10004444
116	O - RING	10002991	405	DRIVER GUIDE COVER B	10001345	443	BOLT CAP	10001324
117	BUMPER	10002901	406	FIXED PIN	10004433	444	URETHANE RETAINER	1131D04600011
118	JOINT GUIDE	10001343	407	DRIVER GUIDE	10001346	445	O - RING	10001358
119	CYLINDER CAP SEAL	10004447	408	MIDDLE STRIP	10001347			
120	HEX.SOC.HD.SCREW	2040104020200	409	HEX.SOC.HD.BOLT	10001348	C	Trigger valve	
201	SEAL	10000888	410	HEX.SOC.HD.BOLT	2040101030302			
202	TRIGGER VALVE HEAD	10000943	411	PUSHER	10001349			
203	SPRING	10000889	412	SPRING	10004434		Service Kits	
204	PLUNGER	10000945	413	BELT HOOK	10004435		Service kit	901103
205	O - RING	10001061	414	MOUNTING BRACKET	10001350		Driver kit	901105
205A	O - RING	10001062	415	LATCH PIN	10001351		Latch/magazine kit	901107
206	O - RING	10001066	416	SPRING	10004436		No mark set	901109
207	PLUNGER CAP	10000944	417	BRACKET UNIT	10004437		Trigger valve kit	901111
208	HINGE POINT	10004426	418	E - RING	10001352		Trigger Switch kit	901191
209	SPRING	10004427	419	HEX.SOC.HD.BOLT	10001010			
210	SPRING	10000946	420	LOCK NUT	10001055			
211	TRIGGER UNIT	10004428	421	DOOR LATCH COVER	10001353			
212	RETAINER, SELECTION LEVER	1131M03747011	422	SNAP RING	10004438			
213	SPRING PIN	10001046	423	LATCH SPRING	10004439			
214	RING	1131C03700011	424	DOOR LATCH	10001354			
301	GUN BODY UNIT	10004429	425	E - RING	10001037			
302	O - RING	10002987	426	PUSHER CUSHION	10004440			
303	LINK ROD	10004430	427	BRACKET UNIT	10001355			

